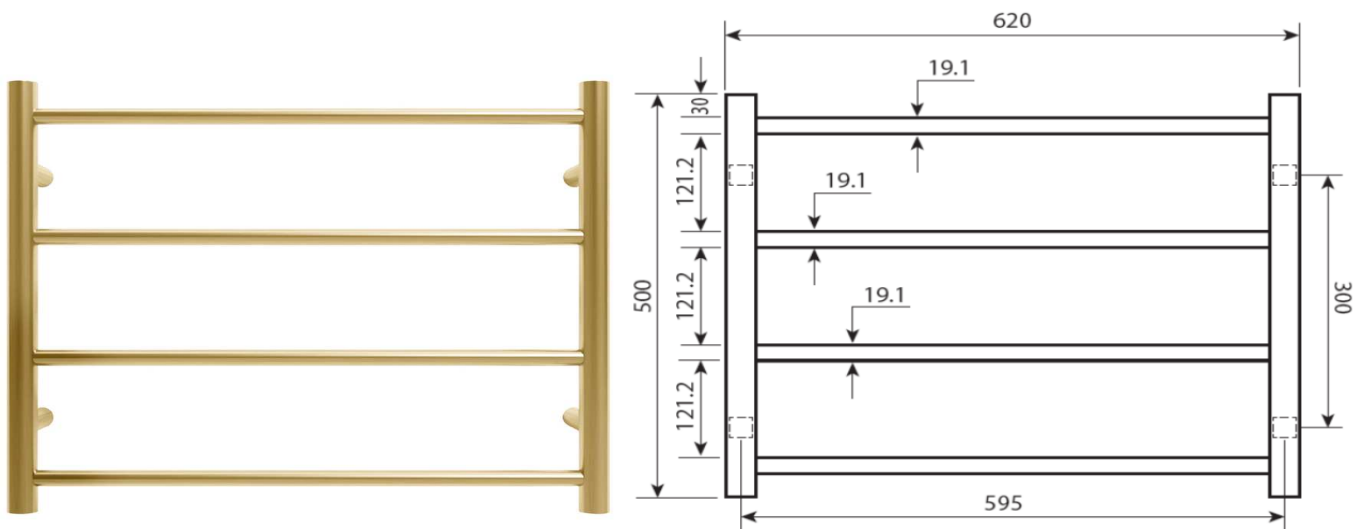


# Commercial Series Heated 4 Bar Towel Rail ROUND Brushed Gold PVD

Product Code: HTR-TR0402MBG  
Dimensions: 620(w) x 500(h) x 120(d) mm

## Features:

- 4 Bars
- Available in 3 PVD Finishes
- 304 Grade PVD Stainless Steel



Note: Manufacturing tolerances could cause variances of  $\pm 5$ mm.

## Additional Information:

- 230-240Volts, 50Hz 50 Watts
- Ingress protection Rating - IP34 (Splashproof)
- Bottom Right and Left Hand Wire Entry (Multi Connect)
- Class 1 appliance - requires an earth connection
- This towel rail should be mounted vertically at least 600mm above the floor with the cord exiting from the base



Guaranteed against manufacturing defects



Stainless Steel



Fixing accessories included



Timer available

